

BENEFITS

Highest Efficiency

SunPower™ Solar Panels are the most efficient photovoltaic panels on the market today.

Attractive Design

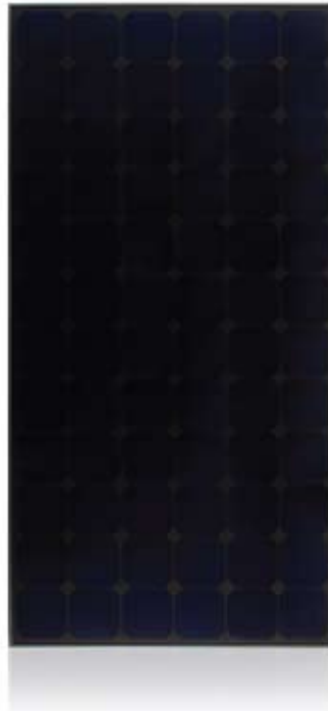
Unique design combines high efficiency and a sleek, black appearance to blend elegantly with the roof.

More Power

Our panels produce more power in the same amount of space—up to 50% more than conventional designs and 100% more than thin film solar panels.

Reliable and Robust Design

Proven materials, tempered front glass, and a sturdy anodized frame allow panel to operate reliably in multiple mounting configurations.



The SunPower™ 225 Solar Panel provides a revolutionary combination of high efficiency and attractive, sleek appearance. Utilizing 72 back-contact solar cells and a black backsheet, the SunPower 225 blends elegantly with the roof and delivers a total panel conversion efficiency of 18.1%. The panel's reduced voltage-temperature coefficient and exceptional low-light performance attributes provide outstanding energy delivery per peak power watt.

SunPower's High Efficiency Advantage - Up to Twice the Power

	Thin Film	Conventional	SunPower
Peak Watts / Panel	65	170	225
Efficiency	9.0%	13.0%	18.1%
Peak Watts / ft² (m²)	8 (90)	12 (130)	17 (181)



SPR-225-BLK-U

About SunPower

SunPower designs, manufactures and delivers high-performance solar electric technology worldwide. Our high-efficiency solar cells generate up to 50% more power than conventional solar cells. Our high-performance solar panels, roof tiles and trackers deliver significantly more energy than competing systems.



Electrical Data

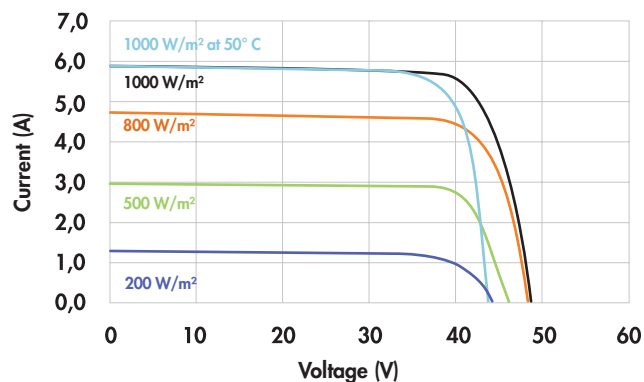
Measured at Standard Test Conditions (STC): irradiance of 1000W/m², AM 1.5, and cell temperature 25° C

Peak Power (+/-5%)	P _{max}	225 W
Rated Voltage	V _{mpp}	41.0 V
Rated Current	I _{mpp}	5.49 A
Open Current Voltage	V _{oc}	48.5 V
Short Circuit Current	I _{sc}	5.87 A
Maximum System Voltage	UL	600 V
Temperature Coefficients		
	Power	-0.38% / K
	Voltage (V _{oc})	-132.5mV / K
	Current (I _{sc})	3.5mA / K
NOCT		46° C +/-2° C
Series Fuse Rating		20 A

Mechanical Data

Solar Cells	72 SunPower all-back contact monocrystalline	
Front Glass	High transmission tempered glass	
Junction Box	IP-65 rated with 3 bypass diodes Dimensions: 32 x 155 x 128 (mm)	
Output Cables	1000mm length cables / MultiContact (MC4) connectors	
Frame	Anodized aluminum alloy type 6063 (black)	
Weight	33.1 lbs. (15.0 kg)	

I-V Curve



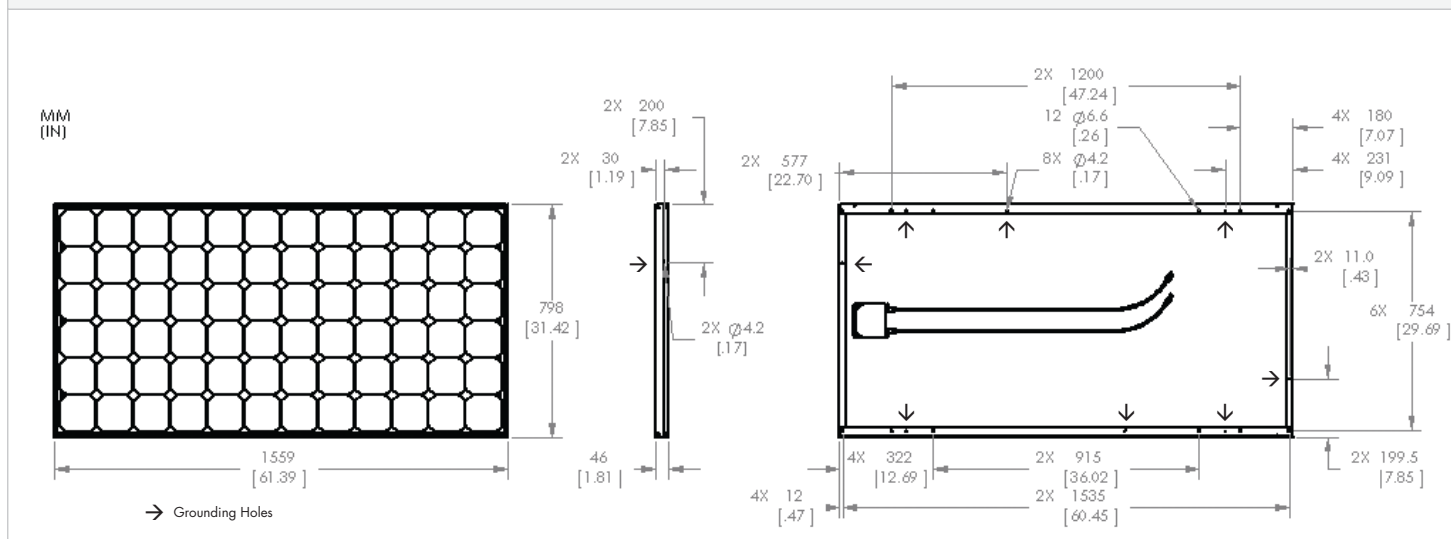
Tested Operating Conditions

Temperature	-40° F to +185° F (-40° C to + 85° C)
Max load	113 psf 550kg/m ² (5400 Pa) front – e.g. snow; 50 psf 245kg/m ² (2400 Pa) front and back – e.g. wind
Impact Resistance	Hail 1 in (25 mm) at 52mph (23 m/s)

Warranties and Certifications

Warranties	25 year limited power warranty 10 year limited product warranty
Certifications	Tested to UL 1703. Class C Fire Rating

Dimensions



CAUTION: READ SAFETY AND INSTALLATION INSTRUCTIONS BEFORE USING THE PRODUCT.

Visit sunpowercorp.com for details